



Model C Dishmachine

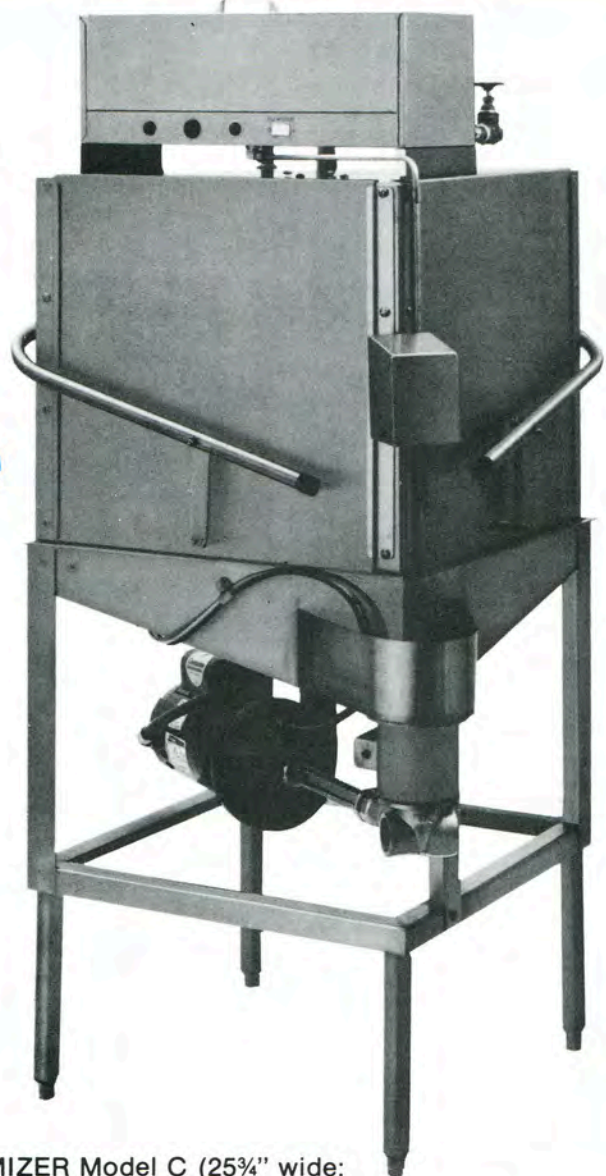
FEATURES

- Top Mounted Controls
- External Scrap Accumulator Included (Not Shown)

OPTIONS

- Automatic "Start" Switch
- Built-in "Delimer" Switch
- "EZ Glide" Nylon Door Guides
- 20" x 20" "Combination" Dishrack

*"World Leaders in
Low Energy Dishmachines"*

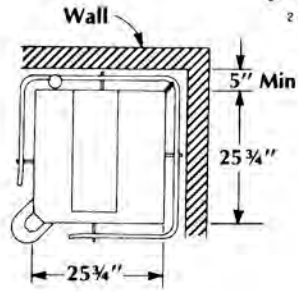
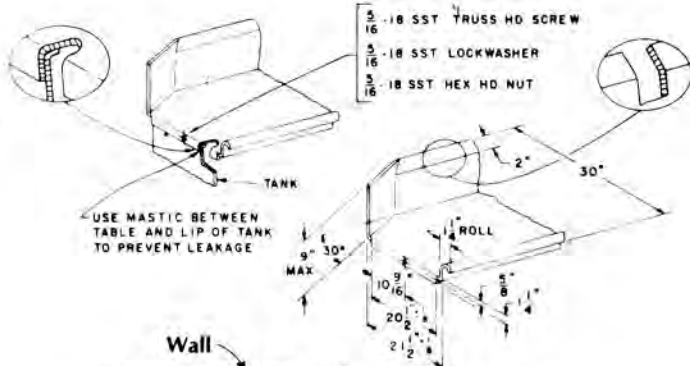


SUMMARY SPECIFICATIONS: ENERGY MIZER Model C (25 $\frac{3}{4}$ " wide; corner installation) standard replacement low energy commercial dishwashing machine meets NSF, UL and CSA sanitation and construction standards WITHOUT the use of BOOSTER or TANK HEATERS. Each unit automatically washes, rinses and sanitizes food service utensils in standard 20" x 20" racks (special pot and pan racks are available). ENERGY MIZERS are constructed for extended life out of 14 gauge, welded stainless steel. Machine complies with detailed specifications Model C and is equipped with an integrated three peristaltic pump chemical delivery system.

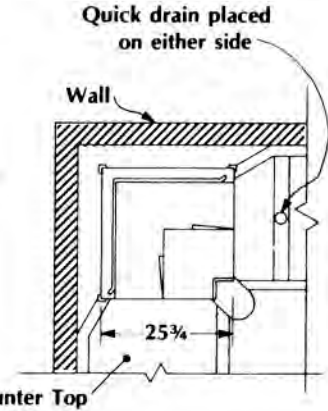
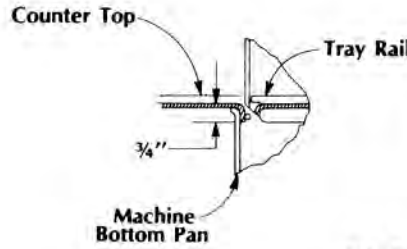
ENERGY-MIZER

295 Edwardia Drive
Greensboro, NC 27409
1-800-627-5634
336-852-4650
FAX 336-855-5711

MODEL C
ENERGY MIZER

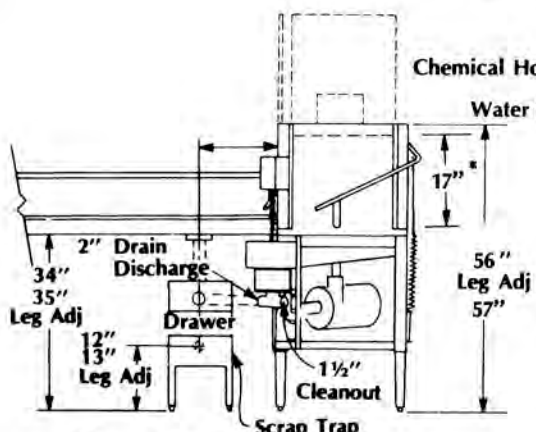


Top View

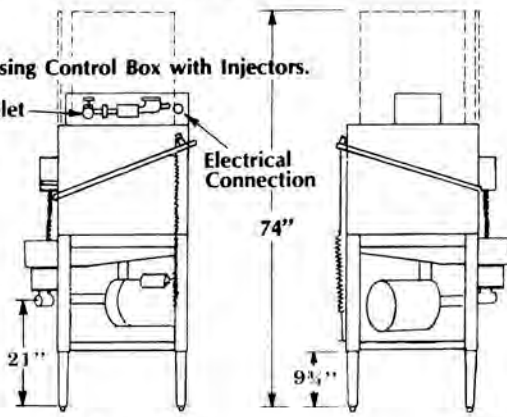


Track & Table Layout

Doors in raised position Typical of all views

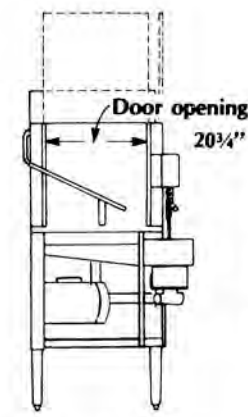


Front View



Right Side

Rear View



Left Side

ENERGY MIZER

SPECIFICATIONS:

MODEL	C-1	C-2
OPERATING CAPACITY RACKS PER HOUR (NSF RATED)	28	36
OPERATING CYCLE	120	90
WASH TIME—SEC	57	43
RINSE TIME—SEC	48	32
DWELL	15	15
WASH TANK CAPACITY GALLONS	1.7	1.7
WASH PUMP CAPACITY GAL PER MIN	68	68
THERMOMETERS WASH TEMP	140 F	140 F
WATER CONSUMPTION 1.7 GAL. PER RACK		
GAL PER HOUR	47.6	61.2
WATER INLET	3/4"	3/4"
DRAIN-I.P.S.	2"	2"
WASH PUMP MOTOR HORSEPOWER	1	1
DIMENSIONS		
DEPTH	25 3/4"	25 3/4"
WIDTH	25 3/4"	25 3/4"
HEIGHT	56"	56"
STANDARD TABLE		
HGT	34"	34"
MAX. HEIGHT CLEARANCE FOR DISHES	17"	17"
STANDARD RACKS DISH (19 3/4" x 19 3/4")		
	1	1
SHIPPING WEIGHT APPROXIMATE		
	270#	270#
ELECTRICAL RATING		
MODEL	VOLTS	PHASE
C-1	115	1
C-2	115	1
		13.0
		13.0

(REQUIRES CLEAN 20 AMP CIRCUIT.)

*Maximum Height Clearance for Dishes is 17"